

Detecting Heart Disease from Multi-View Ultrasound Images via Supervised Attention Multiple Instance Learning

Zhe Huang¹

ZHE.HUANG@TUFTS.EDU

Benjamin S. Wessler²

BWESSLER@TUFTSMEDICALCENTER.ORG

Michael C. Hughes¹

MICHAEL.HUGHES@TUFTS.EDU

¹ Dept. of Computer Science, Tufts University, Medford, MA, USA

² Division of Cardiology, Tufts Medical Center, Boston, MA, USA

Abstract

Aortic stenosis (AS) is a degenerative valve condition that causes substantial morbidity and mortality. This condition is under-diagnosed and under-treated. In clinical practice, AS is diagnosed with expert review of transthoracic echocardiography, which produces dozens of ultrasound images of the heart. Only some of these views show the aortic valve. To automate screening for AS, deep networks must learn to mimic a human expert’s ability to identify views of the aortic valve then aggregate across these relevant images to produce a study-level diagnosis. We find previous approaches to AS detection yield insufficient accuracy due to relying on inflexible averages across images. We further find that off-the-shelf attention-based multiple instance learning (MIL) performs poorly. We contribute a new end-to-end MIL approach with two key methodological innovations. First, a supervised attention technique guides the learned attention mechanism to favor relevant views. Second, a novel self-supervised pretraining strategy applies contrastive learning on the representation of the whole study instead of individual images as commonly done in prior literature. Experiments on an open-access dataset and a temporally-external heldout set show that our approach yields higher accuracy while reducing model size.

1. Introduction

Aortic stenosis (AS) is a progressive degenerative valve condition that is the result of fibrotic and calcific changes to the heart valve. These structural changes occur over years, eventually leading to obstruction of blood flow and can be fatal if not treated. AS is common and affects over 12.6 million adults and causes an estimated 102,700 deaths annually. AS can be effectively treated when it is identified in a timely manner, though diagnosis remains challenging (Yadgir et al., 2020). One promising route to improving AS detection is to consider automatic screening of patients at risk using cardiac ultrasound. Automatic screening could provide a systematic, reproducible process and augment current approaches that rely on cardiac auscultation and miss a significant number of cases (Gardezi et al., 2018).

The challenge in developing an automated system for diagnosing AS is that each echocardiogram study consists of *dozens* of images or videos (typically 27-97 in our data) that show the heart’s complex anatomy from different acquisition angles. As illustrated in Fig. 1(a),

. Open-source Code for our Supervised Attention MIL (SAMIL): <https://github.com/tufts-ml/SAMIL>

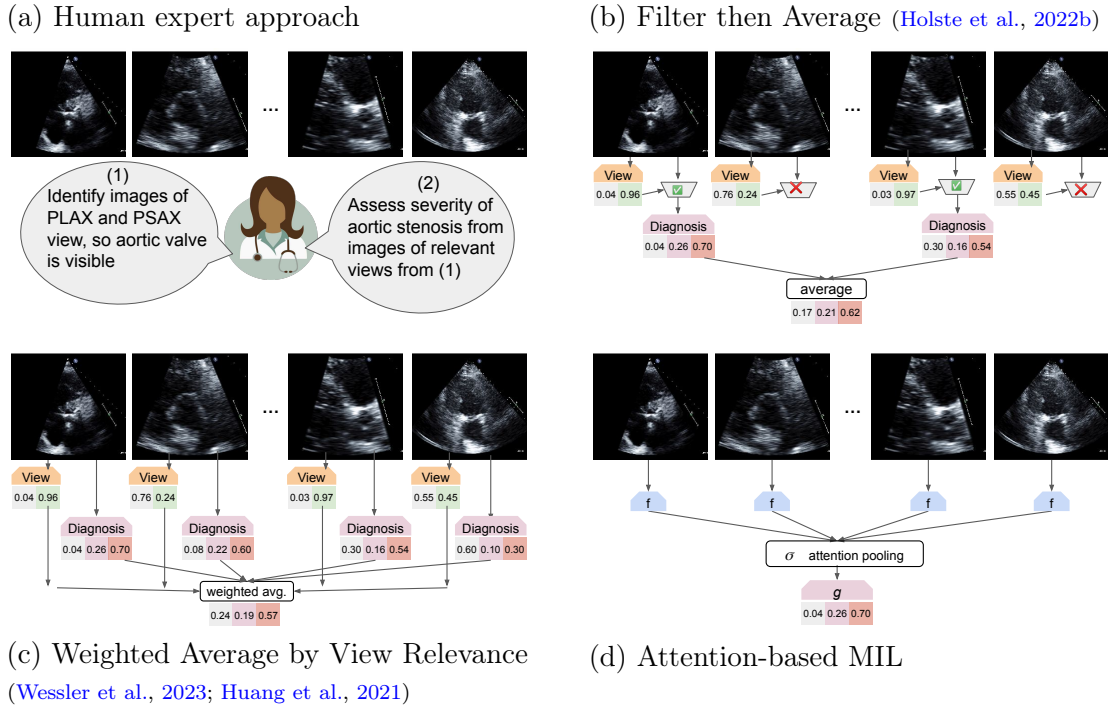


Figure 1: **Overview of methods for diagnosing aortic valve disease from multiple images of the heart.** In our chosen diagnostic problem, the input is multiple ultrasound images representing different canonical view types of the heart’s complex anatomy (e.g. PLAX, PSAX, A2C, A4C, and more, see Mitchell et al. (2019) for a taxonomy). The output is a probabilistic prediction of the severity of Aortic Stenosis (AS), on a 3-level scale of no / early / significant disease. We wish to develop deep learning methods that can solve this problem like expert cardiologists (panel a). Two recent efforts (panel b by others, panel c by our group) made progress using a separately-trained view type classifier and per-image diagnosis classifier, but rely on combining diagnosis probabilities across images via average pooling that cannot learn how to distribute attention non-uniformly among images of relevant views. In this work, we develop flexible attention-based multiple instance learning (MIL, panel d), with crucial contributions of supervised attention (Sec. 4.3) and improved pretraining strategies (Sec. 4.4) that substantially improve performance at our task.

clinical readers are trained to look across many images to identify those that show the aortic valve at sufficient quality and then use these “relevant” images to assess the valve’s health. Training an algorithm to mimic this expert diagnostic process is difficult. Standard deep learning classifiers are designed to consume only one image and produce one prediction. Automatic screening of echocardiograms requires the ability to make one coherent prediction from *many* images representing diverse view types. To make matters more difficult, each image’s view type is not typically recorded in digital health records during routine collection.

Multiple-instance learning (MIL) is a branch of weakly supervised learning in which classifiers can consume a variable-sized set of images to make one prediction. Recent impressive advances in deep attention-based MIL have been published (Ilse et al., 2018; Lee et al., 2019; Sharma et al., 2021; Shao et al., 2021). However, their success at medical diagnostic tasks, especially those with ultrasound images from many possible view types, has not been previously evaluated.

Contributions to Clinical Translation and MIL Methodology

This study’s contribution to applied clinical research is the development and validation of a new deep MIL approach for automatic diagnosis of heart valve disease from multiple ultrasound images produced by a routine trans-thoracic echocardiogram (TTE) study. Our end-to-end approach can take as input any number of images from various view types, eliminating the need for a separately-trained filtering step (Fig. 1(b)) to select relevant views for diagnosis required by some prior AS screening methods (Holste et al., 2022b). Our approach is also more flexible and data-driven than the weighted average (Fig. 1(c)) of our team’s previous efforts for AS screening (Huang et al., 2021; Wessler et al., 2023). Head-to-head evaluation in Sec. 5 demonstrates that our approach can yield superior balanced accuracy for assigning AS severity grades to new studies, while keeping model size over 4x smaller than previous efforts like (Holste et al., 2022b). Small model sizes enable faster predictions and ease portability to new hospital systems.

Our approach’s success is made possible by two methodological contributions. First, we propose a supervised attention mechanism (Sec. 4.3) that steers focus toward images of relevant views, mimicking a human expert. On our AS diagnosis task, supervised attention yields notable gains – balanced accuracy jumps from 60% to over 70% – over previous off-the-shelf attention-based MIL (Ilse et al., 2018). Second, we introduce a self-supervised pretraining strategy (Sec. 4.4) that focuses contrastive learning on the embedding of an entire study (a.k.a. the embedding of the “bag”, using MIL vocabulary). In contrast, most previous pretraining focuses on representations of individual images. Both innovations are broadly applicable to other MIL problems involving imaging data of multiple view types.

Generalizable Insights about Machine Learning in the Context of Healthcare

This study offers critical insight into how multiple-instance learning can be applied to routine echocardiography studies. We show that recent MIL architectures are insufficient to achieve competitive performance because they attend to irrelevant instances and thus lack the ability to make **clinically plausible** decisions. Our two innovations – supervised attention (Sec. 4.3) and bag-level self-supervised pretraining (Sec. 4.4) can be broadly applicable to many clinical image analysis problems that require non-trivial aggregation over multiple images from multiple acquisition angles (views) to make one diagnosis. Beyond echocardiography, these insights could be useful for lung ultrasound, fetal ultrasound, head CT, and more.

2. Related Work

2.1. Multiple-Instance Learning.

Multiple-instance learning (Dietterich et al., 1997; Maron and Lozano-Pérez, 1997) describes a type of supervised learning problem where an unordered bag of instances and a corresponding bag label are provided as input for model training, and the goal is to predict the bag label for unseen bags. This type of problem appears in many medical applications, including whole-slide image (WSI) analysis in pathology (Cosatto et al., 2013; Shao et al., 2021; Li et al., 2021a), diabetic retinopathy screening (Quellec et al., 2012; Li et al., 2021c), and cancer diagnosis (Ding et al., 2012; Campanella et al., 2019). See App. F for a broader

summary of classic MIL techniques and more medical applications. For extensive reviews of the MIL literature, see Zhou (2004); Quellec et al. (2017); Carbonneau et al. (2018).

Two primary ways for modeling multiple instance learning problems are the instance-based approach and the embedding-based approach. In the instance-based approach, an instance classifier is used to score each instance, and a pooling operator is then used to aggregate the instance scores to produce a bag score. In the embedding-based approach, a feature extractor generates an embedding for each instance, which is then aggregated into a bag-level embedding. A bag-level model is subsequently employed to compute a bag score based on the embedding. The embedding-based approach is argued to deliver better performance than the instance-based approach (Wang et al., 2018), but at the same time harder to determine the key instances that trigger the classifier (Liu et al., 2017).

When input is one image from each desired view type. Some recent medical imaging work assumes that instead of an unordered “bag” of instances of arbitrary size, the provided input will contain exactly one image for each of a few known view types (usually 2 or 4). Examples include work on 2-view chest x-rays (Rubin et al., 2018; Hashir et al., 2020) as well as work on breast cancer screening using 2 views (Carneiro et al., 2015; van Tulder et al., 2021) or 4 views (Wu et al., 2020; Nasir Khan et al., 2019). Methods differ in whether they fuse view-specific branches early or late, with latest innovations transferring information across views via transformers (van Tulder et al., 2021). In contrast to such work, the MIL methods we develop consume dozens of images for which a view type is not known in advance, reflecting the lack of recorded view annotations in typical echocardiograms.

Deep attention-based MIL. Our proposed method builds upon recent works advancing attention-based deep neural networks for MIL. ABMIL (Ilse et al., 2018) is an embedding approach where a two-layer neural network computes attention weights for each instance, with the final representation formed by averaging over instance embeddings weighted by attention. Set Transformer (Lee et al., 2019) proposed to model the interactions among instances by using self-attention with multi-head attention (Vaswani et al., 2017). TransMIL (Shao et al., 2021) uses a Transformer-based architecture to capture correlations among patches for whole-slide image classification. C2C (Sharma et al., 2021) divides patches from a whole-slide image into clusters, and sample multiple patches from each cluster for training. C2C then tries to guide attention weights to be similar to a predefined uniform distribution, aiming to minimize intra-cluster variance for patches from the same cluster. A recent method called DSMIL (Li et al., 2021a) attempts to benefit from instance-based and embedding-based approaches via a dual-stream architecture. That work pretrains an *instance-level* feature extractor using self-supervised contrastive learning.

2.2. Self-supervised Learning and Pretraining of MIL

Self-supervised learning (SSL) has demonstrated success in learning visual representations (Oord et al., 2018; Chen et al., 2020a; He et al., 2020; Chen et al., 2020b; Grill et al., 2020; Caron et al., 2020; Chen and He, 2021). SSL requires defining a pretext task such as predicting the future in latent space (Oord et al., 2018), predicting the rotation of an image (Gidaris et al., 2018), or solving a jigsaw puzzle (Noroozi and Favaro, 2016). The term “pretext” suggests that the task being solved is not of primary downstream interest,

but rather serves as a means to learn a better data representation. After selecting a pretext task, an appropriate loss function must also be selected. Here, we focus on the instance discrimination task (Wu et al., 2018) and InfoNCE loss (Oord et al., 2018) following the success of *momentum contrastive learning* (MoCo) (He et al., 2020; Chen et al., 2020b).

Recently, self-supervision has been successfully applied to pretrain MIL models (Holste et al., 2022a,b; Liu et al., 2022; Lu et al., 2019; Li et al., 2021a; Saillard et al., 2021; Dehaene et al., 2020; Rymarczyk et al., 2023). However, these studies all apply self-supervised contrastive learning to representations of individual images. For example, Li et al. (2021e) encourage the embeddings of different views of the same patient to be similar, while Cheng et al. (2022) specifically develop contrastive learning strategies for images from echocardiograms when view labels are known. In our experiments, we observe image-level pretraining is not beneficial and sometimes **slightly harmful** for our AS diagnosis task. This may be because the pretraining task’s objective (learning good image level representations) being too distant from (or even contradict) the downstream task’s objective (learning good bag-level representations for AS diagnosis). This could relate to an issue prior literature calls *class collision* (Arora et al., 2019; Chuang et al., 2020; Khosla et al., 2020; Dwibedi et al., 2021; Zheng et al., 2021; Ash et al., 2021; Li et al., 2021b).

2.3. Automated Screening of Aortic Stenosis.

Work on automatic screening for aortic stenosis from echocardiograms has accelerated in the past few years (Ginsberg et al., 2021; Dai et al., 2023; Holste et al., 2022b; Wessler et al., 2023), including recent work contemporaneous with this paper (Vaseli et al., 2023). Very recent work by Krishna et al. (2023) demonstrated that a commercial deep learning system can closely emulate human performance on most of the elementary echocardiogram-derived measures for AS assessment, such as aortic valve area, peak velocity of blood through the valve, and mean pressure gradients. However, the inability to assign a study-level AS severity rating limits its usefulness as a screening tool.

Among previous efforts that can assign study-level AS grades, there are key differences in how they overcome the challenge of multi-view images available in each patient scan or *study*. Some groups have taken the *Filter then Average* approach diagrammed in Fig. 1(b). Dai et al. (2023) used a single video of the PLAX view to screen for AS. Holste et al. (2022b) similarly filters to several PLAX videos, then uses a deep learning architecture specialized to video. Our team has previously pursued the *Weighted Avg. by View Relevance* strategy in Fig. 1(c), combining separately-trained image-level view classifiers and image-level diagnostic classifiers via weighted averaging (Huang et al., 2021). This weighted averaging method was later refined for a clinical audience with external validation in Wessler et al. (2023). A limitation of both filtering and weighting strategies is that by construction they treat images of relevant views equally; they cannot attend to some relevant views more than others.

Other work has pursued automated AS screening beyond echo images. Some have created classifiers based on time-varying electrocardiogram signals (Cohen-Shelly et al., 2021; Elias et al., 2022). Others have used wearable sensors (Yang et al., 2020). We argue that 2D echocardiograms remain the gold-standard information source for diagnosis.

The use of video, rather than still frames, is an advantage of some prior work (Dai et al., 2023; Holste et al., 2022b) over our approach. However, these video efforts evaluate on

proprietary data, while our work emphasizes reproducibility by using still images from the open-access TMED dataset described below. The MIL architecture proposed here could be extended to video by a straightforward adaptation of the instance representation layer.

3. Dataset

In this work, for model training and primary evaluation we use an open-access dataset that our team created. The Tufts Medical Echocardiogram Dataset (TMED) (Huang et al., 2021), now in its latest version known as TMED-2 (Huang et al., 2022), is a collection of 2D echocardiogram images gathered during routine care at Tufts Medical Center in Boston, MA, USA from 2016-2021. Our research study of these *fully deidentified* images has been approved by the Tufts Medical Center institutional review board.

Each study in the dataset represents a routine transthoracic echocardiogram (TTE) scan of one patient and includes *all* collected 2D ultrasound images of the heart, with a median of 68 images per study (10-90th percentile range = 27-97). No filtering to specific views was applied except removal of Doppler images via metadata inspection. Each study’s available images are exactly the 2D TTE images available to cardiologists in the health records system.

TMED-2 contains a labeled set of 599 studies. Every study in the labeled set has a standard 5-level rating of aortic stenosis (AS) severity assigned by a board-certified expert during routine reading. To focus on automated screening use cases, we followed our previous clinical work (Wessler et al., 2023) and mapped each rating to one of 3 diagnostic classes: “no AS”, “early AS” (combining mild and mild-to-moderate), and “significant AS” (combining moderate and severe). See App. B.1 for further details on this label mapping. Experts who assign these labels have access to more information than our algorithms (see Sec. 6).

Splits. To make the most of the available data, we follow Huang et al. (2022) and average over 3 predefined training/validation/test splits. Each split divides the labeled set into 360/119/120 studies, each with similar proportions of no, early, and significant AS.

View labels for view classifiers. Roughly 40% of images in TMED-2’s labeled set are labeled with *view type*, using 5 possible view labels: PLAX, PSAX, A2C, A4C, or Other. Only PLAX and PSAX views show the aortic valve and thus are relevant for AS assessment. As per Mitchell et al. (2019), there are at least 9 canonical view types in routine TTEs, so many images in TMED-2 depict views that are “irrelevant” for AS diagnosis. Our later MIL approach does not need view labels at training or test time. It does rely on a view classifier during training (Sec. 4.3), which we pretrain using view labels in TMED-2’s train set.

Unlabeled set for pretraining. TMED-2 additionally makes available a large *unlabeled set* of 5486 studies from distinct patients. Studies in the unlabeled set have no diagnosis label nor view label. We use this unlabeled set for pretraining representations (Sec. 4.4), but cannot use them for the supervised training of our MIL due to the lack of labels.

2022-Validation dataset. For further evaluation, we obtained with IRB approval additional deidentified images from routine TTEs of 323 patients at our institution, collected during 2022 and thus temporally-external to the TMED-2 data. Each study was again assigned an AS severity grading by a clinical expert during routine care. We call this data *2022-Validation*. It contains 225/48/50 examples of no/early/significant AS.

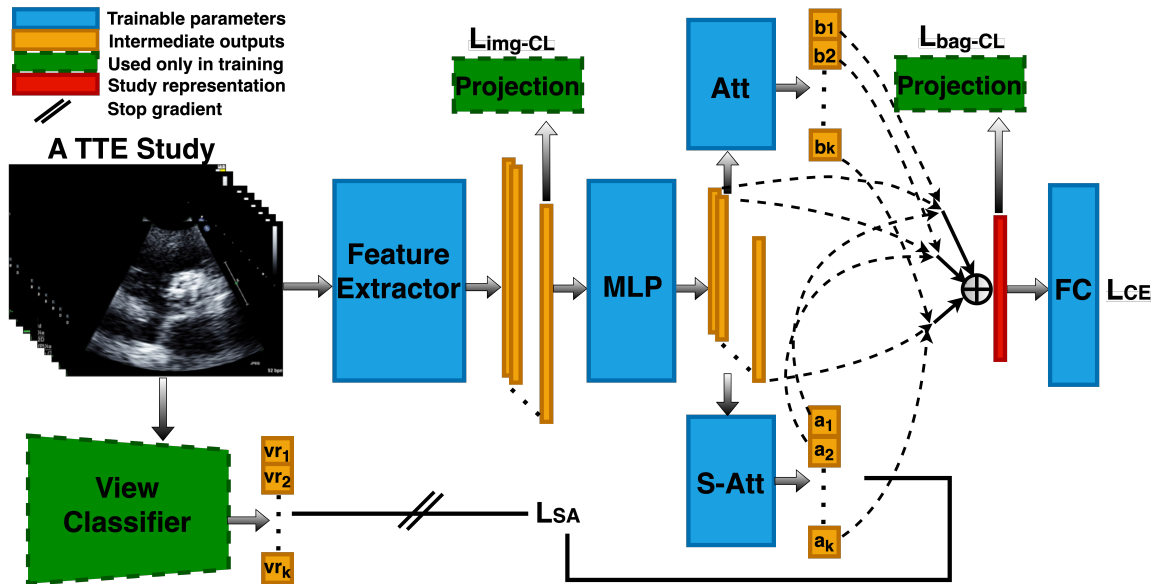


Figure 2: **Overview of proposed method: Supervised Attention Multiple Instance Learning (SAMIL)**. Given a study or “bag” with many images of diverse views of unknown type, a feature extractor processes each image individually into an embedding vector. Two attention modules (one supervised by a view classifier and one without) produce attention weights for each instance. The final study representation averages the image embeddings by combining the two attentions (Eq. (5)). A fully-connected (FC) layer maps the study representation to a 3-class diagnosis (no/early/significant AS). *Pretraining*: SAMIL can be pretrained using bag-level (recommended, Sec. 4.4) or image-level contrastive learning. In either case, a projection head maps representations to a latent space where the contrastive loss is applied (Chen et al., 2020a,b). The projection head is discarded after pretraining.

4. Methods

We now introduce our formulation of AS diagnosis as an MIL problem in Sec 4.1 and discuss a general architecture for MIL (Sec. 4.2). We then present the two key innovations of our proposed method, which we call *Supervised Attention Multiple Instance Learning* or SAMIL. First, Sec. 4.3 presents our supervised attention module that improves the MIL pooling layer to better attend to clinically relevant views. Second, Sec. 4.4 presents our study-level contrastive learning strategy to improve representation of entire studies (rather than individual images). Fig 2 gives an overview of SAMIL.

4.1. Problem Formulation

Let $D = \{(X_1, Y_1), \dots, (X_N, Y_N)\}$ be a training dataset containing N TTE studies. Each study, indexed by i , consists of a bag of images X_i and an (optional) diagnostic label Y_i .

Prediction task. Given a training set of size N , our goal is to build a classifier that can consume a new echo study X_* and assign the appropriate label Y_* .

Input. Each “bag” X_i contains K_i distinct images: $\{x_{i1}, x_{i2}, \dots, x_{iK_i}\}$, which are all 2D TTE images gathered during a routine echocardiogram. The number of images K_i varies across studies (TMED-2’s typical range 27-97). Each x_{ik} is a grayscale 112x112 pixel image.

Output. Each study’s diagnostic label $Y_i \in \{0, 1, 2\}$ indicates the assessed severity level of aortic stenosis (0 = no AS, 1 = early AS, 2 = significant AS). These labels are assigned by a cardiologist with specialty training in echocardiography during a routine clinical interpretation of the entire study. Diagnosis labels for individual images are unavailable.

Image preprocessing. We used the released dataset without additional preprocessing. As documented in Huang et al. (2022), the images are extracted from DICOM files in the health record by taking the first frame of the corresponding cine loop, removing identifying information, padding the shorter axis to a square aspect ratio, and resizing to 112x112.

4.2. General MIL architecture

Following past work on deep neural network approaches to MIL (Ilse et al., 2018; Li et al., 2021a), a typical architecture has 3 components, as illustrated in Fig. 1(d). First, an instance representation layer f transforms each instance into a feature representation. Second, a pooling layer σ aggregates across instances to form a bag-level representation in permutation-invariant fashion. Finally, an output layer g maps the bag-level representation to a prediction.

We now describe the forward prediction process for one study or “bag” X under a 3-component architecture specialized to our AS prediction problem. Let $X = \{x_1, \dots, x_K\}$ be the input bag of K instances, with individual instances indexed by integer k . (We use X interchangeably with X_i , dropping study-specific index i to reduce notational clutter.)

Instance representation layer f . Let f be a row-wise feedforward layer that processes each instance $x_k \in \mathcal{X}$ independently and identically, producing an instance-specific embedding $h_k = f(x_k)$, where $h_k \in \mathbb{R}^M$. Following Ilse et al. (2018)’s ABMIL, we use a stack of convolution layers and a MLP layer to extract and project each instance’s feature representation to low-dimensional embedding. More details in App. B.2.

Pooling layer σ . Following ABMIL, our pooling layer produces a bag-level representation $z \in \mathbb{R}^M$ via an attention-weighted average of the K instance embeddings $\{h_1, \dots, h_K\}$:

$$z = \sum_{k=1}^K a_k h_k, \quad a_k = \frac{\exp(w^\top \tanh(Uh_k))}{\sum_{j=1}^K \exp(w^\top \tanh(Uh_j))}, \quad (1)$$

where vector $w \in \mathbb{R}^L$ and matrix $U \in \mathbb{R}^{L \times M}$ are trainable parameters of layer σ . Gated attention modules are also possible (Ilse et al., 2018), but we find accuracy gains are marginal.

Output layer g . Given a bag-level feature vector $z = \sigma(f(X))$, the output layer performs probabilistic classification for the 3 levels of AS severity (0=none, 1=early, 2=significant) via a standard linear-softmax transformation of z :

$$p(Y = r|X) = g(z)_r \text{ for } r \in \{0, 1, 2\}, \quad g(z) = \left[\frac{\exp(\eta_0^\top z)}{S(\eta, z)}, \frac{\exp(\eta_1^\top z)}{S(\eta, z)}, \frac{\exp(\eta_2^\top z)}{S(\eta, z)} \right]. \quad (2)$$

Here, η_0, η_1, η_2 represent weights for each of the 3 severity levels of AS, and denominator $S = \sum_{r=0}^2 \exp(\eta_r^\top z)$ ensures the probabilities sum to one. We do include an intercept term for each class, but omit from notation for clarity.

Training. This 3-component deep MIL architecture has parameters η for the output layer as well as θ for the pooling and representation layers (θ includes w, U from Eq. (1)). We

train these parameters by minimizing the cross-entropy loss between each study’s observed AS diagnosis Y and the MIL-predicted probabilities given each bag of images X

$$\theta^*, \eta^* = \operatorname{argmin}_{\theta, \eta} \sum_{X, Y} \mathcal{L}_{\text{CE}}(Y, g_{\eta}(\sigma_{\theta}(f_{\theta}(X)))) \quad (3)$$

In practice, weight decay is often used to regularize the model and improve generalization.

4.3. Contribution 1: Attention supervised by a view classifier

We find the attention-based architecture described above yields unsatisfactory performance in our diagnostic task (see entry labeled ABMIL in Tab. 1). Furthermore, the learned attention values used in Eq. (1) do not pass a clinical sanity check: attention should be paid only to PLAX and PSAX AoV view types, as only these show the aortic valve (see Fig. 3). This last observation suggests a path forward: supervising the attention mechanism. Suppose we have access to a trustworthy *view-type-relevance* classifier $v : \mathcal{X} \rightarrow [0.0, 1.0]$, which maps an image to the probability that it shows a relevant view depicting the aortic valve (either a PLAX or PSAX AoV view), rather than another view type (such as A2C, A4C, A5C, etc.). This classifier could be used to guide the attention to focus on relevant images. Classifying the view-type of a 2D TTE image has been demonstrated with high accuracy by several groups (Madani et al., 2018; Zhang et al., 2018; Long and Wessler, 2018; Huang et al., 2021).

Supervised attention. To implement this idea, we introduce a new loss term, which we call supervised attention (SA), that steers the attention weights $A = \{a_1, \dots, a_K\}$ produced by Eq. (1) to match relevance scores $R = \{r_1, \dots, r_K\}$ from a view-relevance classifier v :

$$\mathcal{L}_{SA}(w, U) = \text{KL}(R||A) = \sum_{k=1}^K r_k \log \frac{r_k}{a_k}, \quad r_k = \frac{\exp(v(x_k)/\tau_v)}{\sum_{k=1}^K \exp(v(x_k)/\tau_v)} \quad (4)$$

Here, KL means the KL-divergence between two discrete distributions over the same K choices, and $R \in \Delta^K$ is a non-negative vector that sums to one obtained via a softmax transform of the view relevance probabilities with temperature scaling $\tau_v > 0$. We define view relevance probability as the sum of probability that the image is PLAX or PSAX.

This supervision ensures the MIL diagnostic model attends to instances that are clinically plausible for the disease in question. That is, attention to PLAX or PSAX views that show the aortic valve is encouraged, and attention to irrelevant view types like A4C or A2C is discouraged. We emphasize that our approach is classifier-guided because reliable human-annotated labels are not always available. Only 40% percent of images in TMED-2 training set have view labels. If expert-derived labels were more readily available, we could have supervised directly on those. Using classifier-provided probabilistic labels R allows us to train easily on “as-is” data without expensive annotation effort.

Our supervised attention module can be seen as an example of *knowledge distillation* (Hinton et al., 2015), because the MIL model is “taught” to output attentions weight similar to the relevant view predictions from the pretrained view classifier. In a sense, the knowledge from the view classifier is distilled directly into the MIL model.

View classifier. We trained the view classifier v on TMED-2’s labeled *and* unlabeled sets via a recently proposed semi-supervised learning method (Huang et al., 2023) designed to be robust to realistic medical image datasets. The classifier is trained to recognize the view

type of an image, classifying it as either PLAX, PSAX or Other. To prevent data leakage, separate view classifiers are trained for each data split. See App E for details.

Flexible attention. A potential drawback of enforcing a strict alignment between attention weights and predicted view relevance is reduced flexibility. Ideally, even after identifying images of *relevant views*, we would like freedom to focus on some images more than others. To achieve this, we introduce another set of attention weights $B = \{b_1, \dots, b_K\}$. Together, the view-classifier-supervised attention A and the flexible attention B are combined to produce the final study-level representation $z \in \mathbb{R}^M$ by a simple construction,

$$z = \sum_{k=1}^K c_k h_k, \quad c_k(A, B) = \frac{a_k b_k}{\sum_{j=1}^K a_j b_j}, \quad b_k = \frac{\exp(w_b^\top \tanh(U_b h_k))}{\sum_{j=1}^K \exp(w_b^\top \tanh(U_b h_j))}. \quad (5)$$

In this way, the ultimate attention c_k paid to an image can span the full range of 0.0 to 1.0 if that image is a relevant view, but is likely to be near 0.0 if the classifier deems that image’s view irrelevant. The trainable parameters that determine B – $w_b \in \mathbb{R}^L$ and $U_b \in \mathbb{R}^{L \times M}$ – are not supervised by view-relevance, unlike their counterparts w, U that determine A .

4.4. Contribution #2: Contrastive learning of entire study representations

Self-supervised learning (SSL) is an effective way to pre-train models that can be later fine-tuned to downstream tasks. As reviewed earlier, most previous methods (Holste et al., 2022a; Saillard et al., 2021; Dehaene et al., 2020) applying SSL to MIL tasks focus on pretraining the instance-level feature extractor f (or part of f) aiming to learn better instance-level representations. In contrast, we propose to pretrain the 2-component network $\sigma \circ f$, thus refining the study-level representation vector z summarizing all K images in a routine echocardiogram. In the vocabulary of MIL, we call this pretraining the “bag-level” representation. Later results in Tab. 4 show that our study-level pretraining leads to substantial accuracy gains at AS diagnosis compared to image-level pretraining.

MoCo(v2) for representations of individual images. Our pretraining strategy builds upon MoCo (He et al., 2020; Chen et al., 2020b), a recent method for self-supervised image-level contrastive learning (img-CL) that yields state-of-the-art representations via an instance discrimination task (Wu et al., 2018; Ye et al., 2019; Bachman et al., 2019). The learned embedding for a training image is encouraged to be similar to embeddings of slight transformations of itself, while being different from the embeddings of other images.

To obtain embeddings that should be similar, each image x_j in training goes through different transformations (e.g., random augmentation) to yield two versions of itself, x'_j and x_j^+ , referred to as the “query” and the “positive key”. These images are then *encoded* into an L -dimensional feature space by composing a projection layer ψ (a feed-forward network with l_2 normalization) onto the output of the instance-level representation layer f .

To obtain embeddings that should be *dissimilar* to a given query, MoCo retrieves P previous embeddings from a first-in-first-out queue data structure. For each new query, these are treated as P “negative keys”. In practice, this queue is updated throughout training at each new batch: the oldest elements are dequeued and all key embeddings from the current batch are enqueued. P is usually set to the size of the queue (He et al., 2020).

To train image-level encoder $\phi = \psi \circ f$ that composes projection head ψ with feature layer f given a training set of J images, we minimize InfoNCE loss (Oord et al., 2018):

$$\mathcal{L}_{\text{img-CL}}(\phi_q) = \sum_{j=1}^J -\log \frac{\exp(q_j^\top k_j^+ / t)}{\exp(q_j^\top k_j^+ / t) + \sum_{p=0}^P \exp(q_j^\top k_{jp}^- / t)}, \quad \begin{array}{l} q_j = \phi_q(x'_j) \\ k_j^+ = \phi_k(x_j^+) \end{array} \quad (6)$$

Here, $q_j \in \mathbb{R}^L$ is an embedding of the ‘‘query’’ image, $k_j^+ \in \mathbb{R}^L$ is an embedding of the ‘‘positive key’’, and $k_{j1}^-, \dots, k_{jP}^- \in \mathbb{R}^L$ are P embeddings of ‘‘negative keys’’ retrieved from the queue. Scalar temperature $t > 0$ is a hyperparameter (He et al., 2020).

To improve representation quality, in MoCo queries and keys are encoded by separate networks: a query encoder ϕ_q with parameters θ_q and a key encoder ϕ_k with parameters θ_k . The query encoder ϕ_q is trained via standard backpropagation to minimize the loss above. The key encoder ϕ_k is only updated via momentum-based moving average of the query encoder: $\theta_k = m\theta_k + (1 - m)\theta_q$. Momentum $m \in [0, 1)$ is often set to a relatively large value such as 0.999 to make the key embeddings more consistent over time:

Adapting MoCo to bag-level representations. Most prior studies in the MIL literature, such as Li et al. (2021a), use an ‘‘off-the-shelf’’ version of image-level contrastive learning algorithm (e.g., SimCLR (Chen et al., 2020a) or MoCo (He et al., 2020; Chen et al., 2020b)) to pretrain feature extractor f as described above. However, we find that naively applying MoCo in this way does not yield useful results for our AS diagnosis problem.

Reasoning that what ultimately matters is the quality of the study-level representation z produced by our MIL architecture, we adapted MoCo to produce solid representations of entire echocardiogram studies. Correspondingly, we modified the InfoNCE loss to operate on the bag-level representations z . Given a training set of N bags X_1, \dots, X_N , our approach to ‘‘bag-level’’ contrastive learning tries to pull together positive pairs of *studies* and push away (make dissimilar) negative pairs of studies, via the bag-level contrastive-learning loss

$$\mathcal{L}_{\text{bag-CL}}(\phi_q) = \sum_{i=1}^N -\log \frac{\exp(\tilde{z}_i^\top \tilde{z}_i^+ / t)}{\exp(\tilde{z}_i^\top \tilde{z}_i^+ / t) + \sum_{p=0}^P \exp(\tilde{z}_i^\top \tilde{z}_{ip}^- / t)}, \quad \begin{array}{l} \tilde{z}_i = \phi_q(X'_i) \\ \tilde{z}_i^+ = \phi_k(X_i^+) \end{array} \quad (7)$$

Here, encoder $\phi = \psi \circ \sigma \circ f$ now operates on *all images in a study*, composing the same feature extractor f with pooling layer σ and projection head ψ (note that pooling σ is not used in Eq. (6)). $\tilde{z} = \psi(z)$ is the projection of z , $z_i = \sigma_q(f_q(X'_i))$ is the bag-level representation of the ‘‘query’’ study, and $z_i^+ = \sigma_k(f_k(X_i^+))$ is the bag-level representation of the ‘‘positive key’’ study. X' and X^+ are obtained from the given study X by applying different random augmentation to each of its images. \tilde{z}_{ip}^- are again sampled from MoCo’s queue. The enqueue and dequeue mechanisms and update rules of ϕ_q and ϕ_k are the same as the image level case.

4.5. SAMIL Pipeline

Stage 1: Self-Supervised Pretraining. We pretrain our SAMIL network on TMED-2 data utilizing our proposed bag-level pretraining strategy (Sec. 4.4). This method can learn from all available studies, including both the labeled train set as well as the much larger unlabeled set (over 350,000 images). After pretraining finishes, following convention (Chen et al., 2020b,a), the projection head ψ_q is discarded, and parameters of σ_q and f_q are retained to warm-start the supervised fine-tuning. More details in App D.

Stage 2: Fine-Tuning to Diagnose Aortic Stenosis (AS). After initializing f and σ via stage 1, we fine-tune f, σ and g using complete studies (all available 2D images regardless of view label availability) from TMED-2’s train set by minimizing the overall loss

$$\mathcal{L} = \mathcal{L}_{CE} + \lambda_{SA}\mathcal{L}_{SA}, \quad (8)$$

Here, the primary supervision comes from each study’s diagnosis label Y (via cross entropy loss \mathcal{L}_{CE} defined in Eq. (3)), while the predicted view relevance of each image provides additional supervision to the attention module (via supervised attention loss \mathcal{L}_{SA} in Eq. (4)). Hyperparameter $\lambda_{SA} > 0$ sets the relative weight of the SA loss term.

5. Results

Performance metrics. We use *balanced accuracy* as our primary performance metric. The class imbalance in TMED-2 means standard accuracy is less suitable (Huang et al., 2021). Given a dataset of N true labels $Y_{1:N}$ and N predicted labels $\hat{Y}_{1:N}$, with each AS diagnosis label in $\{0, 1, 2\}$, we compute balanced accuracy as $\sum_{c=0}^2 \frac{\text{TP}_c(Y_{1:N}, \hat{Y}_{1:N})}{N_c(Y_{1:N})}$, where $\text{TP}_c(\cdot)$ counts *true positives* for class c and $N_c(\cdot)$ counts all examples with class label c . Later evaluations of screening potential assess discrimination between two classes via *area under the ROC curve*.

Comparisons. We compared our methods with a set of strong baseline including general-purpose multiple-instance learning algorithms (Ilse et al., 2018; Lee et al., 2019; Li et al., 2021a) and prior methods for Aortic Stenosis diagnosis using deep neural networks (Wessler et al., 2023; Holste et al., 2022b,a). We also tried DeepSet (Zaheer et al., 2017), but omit those results as we could not get DeepSet to perform better than random chance on this challenging diagnostic task despite substantial hyperparameter tuning (details in App. B.4).

5.1. Accuracy vs. Model Size Evaluation on TMED-2

Table 1 compares methods on test-set balanced accuracy for 3 diagnostic classes of AS across the 3 splits of TMED-2. Our proposed method, SAMIL, scores 76%, significantly better than 4 other state-of-the-art attention-based MIL architectures we tested (which span 60-67%). SAMIL consistently improves over its predecessor ABMIL by a remarkable 13-17% gain across all 3 splits. SAMIL also outperforms more recent MIL architectures like Set Transformer, which employs self-attention for both feature extraction and pooling, and the state-of-the-art DSMIL (Li et al., 2021a), which leverages a two-stream architecture.

Table 1 also compares to two previous approaches dedicated to AS diagnosis: *Filter then Average* and *Weighted Average by View Relevance*. Results suggest that our SAMIL method achieves better accuracy at substantially *smaller model size*. Moreover, once trained, SAMIL can process the entire TTE study (dozens of images of different views) without the need to deploy an additional view classifier to filter (Holste et al., 2022b,a) or downweight (Wessler et al., 2023) images. We thus find SAMIL to be an effective and portable alternative.

To understand the source of SAMIL’s gains, in the appendix we provide confusion matrices in Fig. A.1. SAMIL outperforms W. Avg. by View Rel. in early AS recall, while maintaining similar or slightly lower no AS and significant AS recall. Compared to DSMIL, SAMIL improves no AS and early AS recall, with similar significant AS recall. Compared to ABMIL, SAMIL performs better in all three categories. Further results in Fig A.2 show ROC curves indicating discriminative performance of three clinical use cases for binary screening (no vs

Method	Test Set Bal. Accuracy				# params	view clf.?
	split 1	split 2	split 3	average		
Filter then Avg. [b]	62.06	65.12	70.35	65.90	11.18 M	Yes
W. Avg. by View Rel. [c]*	74.46	72.61	76.24	74.43	5.93 M	Yes
SAMIL (ours)	75.41	73.78	79.42	76.20	2.31 M	No
ABMIL [d]	58.51	60.39	61.61	60.17	2.25 M	No
ABMIL + Gate Attn. [d]	57.83	62.60	59.79	60.07	2.31 M	No
Set Transformer [e]	60.95	62.61	62.64	62.06	1.98 M	No
DSMIL [f]	60.10	67.59	73.11	66.93	2.02 M	No

[b] Holste et al. (2022b), [c] Wessler et al. (2023) [d] Ilse et al. (2018) [e] Lee et al. (2019) [f] Li et al. (2021a)

Table 1: AS diagnosis results on TMED2. Showing balanced accuracy (percentage, higher is better) on the test set across three train/test splits. Methods b, c, d are diagrammed in corresponding panel in Fig. 1. Methods above the line are approaches specialized to the AS task, others are generic MIL methods. Column “# params” shows number of trainable parameters. Column “view clf.?” shows whether an additional view classifier is needed at deployment. *: value from the cited paper.

some AS, early vs significant, and significant AS vs not). SAMIL outperforms ABMIL and DSMIL across all tasks. In comparison to W. Avg. by View Rel, SAMIL reaches similar performance in screening No AS vs. Some AS, while doing better in the other two tasks.

5.2. Screening Evaluation on 2022-Validation Dataset

We further validate methods on the separate 2022-Validation dataset described earlier, which contains 225/48/50 examples of no/early/significant AS. Results in Tab. 2 compare SAMIL to the best-performing baselines from previous section. SAMIL achieved competitive performance on two critical screening tasks: It seems best on Significant-vs-Not and equivalent to the best on No-vs-Some. On the more challenging Early-vs-Significant task, where both classes have 50 or fewer examples in this set, all methods have wide uncertainty intervals from bootstrap resamples and SAMIL scores slightly below DSMIL.

Method	AUROC for AS screening		
	No vs Some	Significant vs. Not	Early vs Significant
W. Avg. by View Rel.	0.934 (0.904, 0.959)	0.881 (0.837, 0.921)	0.653 (0.539, 0.760)
DSMIL.	0.897 (0.862, 0.929)	0.902 (0.857, 0.941)	0.765 (0.664, 0.857)
SAMIL (ours)	0.923 (0.885, 0.955)	0.921 (0.886, 0.951)	0.717 (0.610, 0.813)

Table 2: AUROC for AS screening on temporarily distinct cohort. Values in parenthesis show 2.5th and 97.5th percentiles of AUROC values computed from 5000 bootstrap resamples of 323 studies.

5.3. Attention Quality Assessment

Our supervised attention module is intended to ensure that the model’s decision-making process is consistent with human expert intuition, by only using relevant views to make diagnostic judgments. Here, we evaluate how well the attention mechanisms of various models align with this goal. Fig 3 compares the predicted view relevance of SAMIL’s and ABMIL’s attended images, aggregating across all studies in the test set. For instance, the first panel

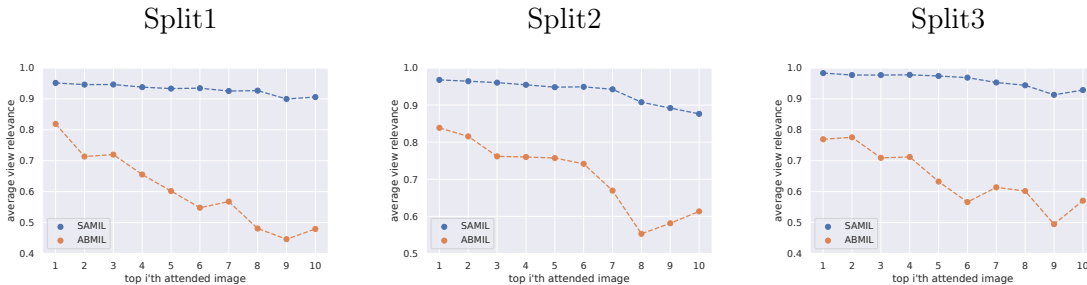


Figure 3: Predicted view relevance of top-ranked images by attention (higher is better). Supervised attention (SAMIL, ours) outperforms off-the-shelf ABMIL by wide margin across all 3 splits. The x-axis indicates a rank position of images within an echo study when sorted by attention (1 = largest a_k , 2 = second largest, etc.). The y-axis indicates the average view relevance (across studies in test set) assigned by view classifier $v(x)$ to image x at rank k .

reveals that after ranking by attention, the 9th ranked image by ABMIL on average has less than 0.5 view relevance. This means that for many studies, some images in the top 9 (as ranked by attention) are likely from irrelevant views. In contrast, SAMIL’s 9th ranked image has an average view relevance above 0.9. Overall, the figure demonstrates that SAMIL bases decisions on clinically relevant views, while ABMIL fails this clinical sanity check. We hope these evaluations reveal how our SAMIL’s improved attention module contributes to helping audit a model’s overall interpretability, which is key to gaining trust from clinicians and successfully adopting an ML system in medical applications (Holzinger et al., 2017; Lundberg and Lee, 2017; Tonekaboni et al., 2019).

We provide two additional sanity checks for our supervised attention module. First, Fig A.3 illustrates the top 10 images ranked by attention from one study (the first in the test set to avoid cherry-picking). Among the top 10 images attended by ABMIL, 5 are actually irrelevant views. In contrast, the top 10 images attended by SAMIL are all from relevant views. Second, we assess the view classifier’s performance on the view classification task in App E, supporting that its predicted view relevance serves as a reliable indicator for assessing whether an image comes from a relevant view or not.

5.4. Ablation Evaluations of Supervised Attention and Pretraining

Tables 3 and 4 verify the impact of our attention (Sec. 4.3) and pretraining (Sec. 4.4) methods.

Method	Test Set Bal. Accuracy			
	1	2	3	average
ABMIL	58.5	60.4	61.6	60.2
ABMIL Gate Attn.	57.8	62.6	59.8	60.1
SAMIL no pretrain	72.7	71.6	73.5	72.6

Table 3: Ablation of **attention** strategies on TMED2. Showing balanced accuracy for AS severity (higher is better) on the test set across splits. Model sizes are matched to (roughly) 2.3M parameters.

Method	Test set Bal. Accuracy			
	1	2	3	average
SAMIL no pretrain	72.7	71.6	73.5	72.6
SAMIL w/ img-CL	71.2	67.0	75.8	71.4
SAMIL	75.4	73.8	79.4	76.2

Table 4: Ablation of **pretraining** strategies on TMED-2. Reporting balanced accuracy for AS severity (higher is better) on the test set across splits. Model sizes are matched. Last row uses recommended “bag-CL” pretraining.

Our ablation of the attention module used within pooling layer σ in Table 3 demonstrates the effectiveness of SAMIL’s supervised attention (Eq. (4)). SAMIL achieves an improvement of over 12% compared to ABMIL, the model it builds upon, even without any pretraining.

To understand what SAMIL’s built-in study-level (aka bag-level) pretraining adds, we compare image-level contrastive learning (“w/ img-CL”) and without pretraining at all. Table 4 shows that image-level pretraining does not improve AS diagnosis performance, while our proposed study-level pretraining strategy in SAMIL delivers gains.

6. Discussion

We have developed an approach to deep multiple instance learning for diagnosing a common heart valve disease (aortic stenosis) from the dozens of images collected in a routine echocardiogram. In our evaluations on the open-access TMED-2 dataset, we find our approach reaches better classifier accuracy than several alternatives, including two recent methods dedicated to AS screening. We suspect that gains come from two sources. First, SAMIL can use images of both PLAX and PSAX views, not just PLAX as in Holste et al. (2022b). Second, SAMIL’s flexible attention (Eq. (5)) does not weight each relevant view equally. Holste et al.’s *Filter-then-Average* and Wessler et al.’s *Weighted Average by View Relevance* essentially treat each high-confidence PLAX image *equally* in diagnosis. Instead, we emphasize that our method can learn a study-specific subset of PLAX images to attend to, based on image quality, anatomic visibility, or other factors.

Limitations in diagnostic potential. Human experts assess AS using several additional factors not available to our method. These include patient demographics, clinical variables, and (most importantly) other imaging technologies such as doppler echocardiography as well as high-resolution cine-loop videos from 2D TTE (not just lower-resolution single frame images used here). Adapting SAMIL to these modalities could provide improved accuracy.

Limitations in evaluation. As of this writing, TMED-2 is the only open-access dataset of echos known to us with diagnostic labels for AS or other valve disease. However, it is limited in size and in covered demographics due to drawing from just one hospital site. Further assessment is needed to understand how our proposed method generalizes, especially to populations underrepresented at the Boston-based hospital where this data was collected.

Advantages. Our SAMIL approach is designed to perform automatic screening of an echo study without requiring a first-stage manual or automatic prefiltering to relevant view types. Even though prefiltering may sound simpler than MIL, we show our approach works better (likely due to its flexible attention) while allowing smaller models. We can further leverage large unlabeled data collections for pretraining effective representations.

SAMIL could be applied to other structural heart diseases including cardiomyopathies and mitral and tricuspid disease if suitable labels were available for some studies. Similar multi-view image diagnostic problems occur in fetal ultrasound, lung ultrasound, and head CT applications; we hope translation to these other domains could bear fruit. Both key innovations – supervised attention to steer toward clinically-relevant views for the diagnostic task and study-level representation learning – are applicable to other prediction tasks. Ultimately, we hope our study plays a part in transforming early screening for AS and other burdensome diseases to be more reproducible, effective, portable, and actionable.

Acknowledgments

We acknowledge financial support from the Pilot Studies Program at the Tufts Clinical and Translational Science Institute (Tufts CTSI NIH CTSA UL1TR002544). We are also grateful for computing infrastructure support from the Tufts High-performance Computing cluster, partially funded by the National Science Foundation under grant OAC CC* 2018149. Author B. W. was supported in part by K23AG055667 (NIH-NIA).

References

- Stuart Andrews, Ioannis Tsochantaridis, and Thomas Hofmann. Support vector machines for multiple-instance learning. *Advances in neural information processing systems*, 15, 2002.
- Sanjeev Arora, Hrishikesh Khandeparkar, Mikhail Khodak, Orestis Plevrakis, and Nikunj Saunshi. A theoretical analysis of contrastive unsupervised representation learning. *arXiv preprint arXiv:1902.09229*, 2019.
- Jordan T Ash, Surbhi Goel, Akshay Krishnamurthy, and Dipendra Misra. Investigating the role of negatives in contrastive representation learning. *arXiv preprint arXiv:2106.09943*, 2021.
- Philip Bachman, R Devon Hjelm, and William Buchwalter. Learning representations by maximizing mutual information across views. *Advances in neural information processing systems*, 32, 2019.
- Adriana Borowa, Dawid Rymarczyk, Dorota Ochońska, Monika Brzywczy-Włoch, and Bartosz Zieliński. Classifying bacteria clones using attention-based deep multiple instance learning interpreted by persistence homology. *arXiv preprint arXiv:2012.01189*, 2020.
- Gabriele Campanella, Matthew G Hanna, Luke Geneslaw, Allen Miraflor, Vitor Werneck Krauss Silva, Klaus J Busam, Edi Brogi, Victor E Reuter, David S Klimstra, and Thomas J Fuchs. Clinical-grade computational pathology using weakly supervised deep learning on whole slide images. *Nature medicine*, 25(8):1301–1309, 2019.
- Marc-André Carbonneau, Veronika Cheplygina, Eric Granger, and Ghyslain Gagnon. Multiple instance learning: A survey of problem characteristics and applications. *Pattern Recognition*, 77: 329–353, 2018.
- Gustavo Carneiro, Jacinto Nascimento, and Andrew P. Bradley. Unregistered Multiview Mammogram Analysis with Pre-trained Deep Learning Models. In Nassir Navab, Joachim Hornegger, William M. Wells, and Alejandro F. Frangi, editors, *Medical Image Computing and Computer-Assisted Intervention – MICCAI 2015*, Lecture Notes in Computer Science, pages 652–660, Cham, 2015. Springer International Publishing.
- Mathilde Caron, Ishan Misra, Julien Mairal, Priya Goyal, Piotr Bojanowski, and Armand Joulin. Unsupervised learning of visual features by contrasting cluster assignments. *Advances in neural information processing systems*, 33:9912–9924, 2020.
- Ting Chen, Simon Kornblith, Mohammad Norouzi, and Geoffrey Hinton. A simple framework for contrastive learning of visual representations. In *International conference on machine learning*, pages 1597–1607. PMLR, 2020a.
- Xinlei Chen and Kaiming He. Exploring simple siamese representation learning. In *Proceedings of the IEEE/CVF conference on computer vision and pattern recognition*, pages 15750–15758, 2021.

- Xinlei Chen, Haoqi Fan, Ross Girshick, and Kaiming He. Improved baselines with momentum contrastive learning. *arXiv preprint arXiv:2003.04297*, 2020b.
- Li-Hsin Cheng, Xiaowu Sun, and Rob J. van der Geest. Contrastive learning for echocardiographic view integration. In *Medical Image Computing and Computer Assisted Intervention – MICCAI 2022*, 2022. URL <https://conferences.miccai.org/2022/papers/111-Paper1698.html>.
- Philip Chikontwe, Meejeong Kim, Soo Jeong Nam, Heounjeong Go, and Sang Hyun Park. Multiple instance learning with center embeddings for histopathology classification. In *Medical Image Computing and Computer Assisted Intervention–MICCAI 2020: 23rd International Conference, Lima, Peru, October 4–8, 2020, Proceedings, Part V 23*, pages 519–528. Springer, 2020.
- Ching-Yao Chuang, Joshua Robinson, Yen-Chen Lin, Antonio Torralba, and Stefanie Jegelka. Debiasing contrastive learning. *Advances in neural information processing systems*, 33:8765–8775, 2020.
- Michal Cohen-Shelly, Zachi I Attia, Paul A Friedman, Saki Ito, Benjamin A Essayagh, Wei-Yin Ko, Dennis H Murphree, Hector I Michelena, Maurice Enriquez-Sarano, Rickey E Carter, et al. Electrocardiogram screening for aortic valve stenosis using artificial intelligence. *European heart journal*, 42(30), 2021.
- Eric Cosatto, Pierre-Francois Laquerre, Christopher Malon, Hans-Peter Graf, Akira Saito, Tomoharu Kiyuna, Atsushi Marugame, and Ken’ichi Kamijo. Automated gastric cancer diagnosis on h&e-stained sections; training a classifier on a large scale with multiple instance machine learning. In *Medical Imaging 2013: Digital Pathology*, volume 8676, pages 51–59. SPIE, 2013.
- Wangzhi Dai, Hamed Nazzari, Mayooraan Namasivayam, Judy Hung, and Collin M Stultz. Identifying aortic stenosis with a single parasternal long-axis video using deep learning. *Journal of the American Society of Echocardiography*, 36(1), 2023.
- Olivier Dehaene, Axel Camara, Olivier Moindrot, Axel de Lavergne, and Pierre Courtiol. Self-supervision closes the gap between weak and strong supervision in histology. *arXiv preprint arXiv:2012.03583*, 2020.
- Thomas G Dietterich, Richard H Lathrop, and Tomás Lozano-Pérez. Solving the multiple instance problem with axis-parallel rectangles. *Artificial intelligence*, 89(1-2):31–71, 1997.
- Jianrui Ding, Heng-Da Cheng, Jianhua Huang, Jiafeng Liu, and Yingtao Zhang. Breast ultrasound image classification based on multiple-instance learning. *Journal of digital imaging*, 25:620–627, 2012.
- Debidatta Dwibedi, Yusuf Aytar, Jonathan Tompson, Pierre Sermanet, and Andrew Zisserman. With a little help from my friends: Nearest-neighbor contrastive learning of visual representations. In *Proceedings of the IEEE/CVF International Conference on Computer Vision*, pages 9588–9597, 2021.
- Pierre Elias, Timothy J Poterucha, Vijay Rajaram, Luca Matos Moller, Victor Rodriguez, Shreyas Bhave, Rebecca T Hahn, Geoffrey Tison, Sean A Abreau, Joshua Barrios, et al. Deep learning electrocardiographic analysis for detection of left-sided valvular heart disease. *Journal of the American College of Cardiology*, 80(6):613–626, 2022.
- Syed KM Gardezi, Saul G Myerson, John Chambers, Sean Coffey, Joanna d’Arcy, FD Richard Hobbs, Jonathan Holt, Andrew Kennedy, Margaret Loudon, Anne Prendergast, et al. Cardiac auscultation poorly predicts the presence of valvular heart disease in asymptomatic primary care patients. *Heart*, 104(22):1832–1835, 2018.

- Spyros Gidaris, Praveer Singh, and Nikos Komodakis. Unsupervised representation learning by predicting image rotations. *arXiv preprint arXiv:1803.07728*, 2018.
- Tom Ginsberg, Ro-ee Tal, Michael Tsang, Calum Macdonald, Fatemeh Taheri Dezaki, John van der Kuur, Christina Luong, Purang Abolmaesumi, and Teresa Tsang. Deep Video Networks for Automatic Assessment of Aortic Stenosis in Echocardiography. In J. Alison Noble, Stephen Aylward, Alexander Grimwood, Zhe Min, Su-Lin Lee, and Yipeng Hu, editors, *Simplifying Medical Ultrasound*, Lecture Notes in Computer Science, pages 202–210, Cham, 2021. Springer International Publishing.
- Priya Goyal, Piotr Dollár, Ross Girshick, Pieter Noordhuis, Lukasz Wesolowski, Aapo Kyrola, Andrew Tulloch, Yangqing Jia, and Kaiming He. Accurate, large minibatch sgd: Training imagenet in 1 hour. *arXiv preprint arXiv:1706.02677*, 2017.
- Jean-Bastien Grill, Florian Strub, Florent Altché, Corentin Tallec, Pierre Richemond, Elena Buchatskaya, Carl Doersch, Bernardo Avila Pires, Zhaohan Guo, Mohammad Gheshlaghi Azar, et al. Bootstrap your own latent-a new approach to self-supervised learning. *Advances in neural information processing systems*, 33:21271–21284, 2020.
- Mohammad Hashir, Hadrien Bertrand, and Joseph Paul Cohen. Quantifying the Value of Lateral Views in Deep Learning for Chest X-rays. In *Proceedings of the Third Conference on Medical Imaging with Deep Learning (MIDL)*, 2020. URL <http://arxiv.org/abs/2002.02582>.
- Kaiming He, Xiangyu Zhang, Shaoqing Ren, and Jian Sun. Deep residual learning for image recognition. In *Proceedings of the IEEE conference on computer vision and pattern recognition*, pages 770–778, 2016.
- Kaiming He, Haoqi Fan, Yuxin Wu, Saining Xie, and Ross Girshick. Momentum contrast for unsupervised visual representation learning. In *Proceedings of the IEEE/CVF conference on computer vision and pattern recognition*, pages 9729–9738, 2020.
- Geoffrey Hinton, Oriol Vinyals, and Jeff Dean. Distilling the knowledge in a neural network. *arXiv preprint arXiv:1503.02531*, 2015.
- Gregory Holste, Evangelos K Oikonomou, Bobak Mortazavi, Zhangyang Wang, and Rohan Khera. Self-supervised learning of echocardiogram videos enables data-efficient clinical diagnosis. *arXiv preprint arXiv:2207.11581*, 2022a.
- Gregory Holste, Evangelos K Oikonomou, Bobak J Mortazavi, Andreas Coppi, Kamil F Faridi, Edward J Miller, John K Forrest, Robert L McNamara, Lucila Ohno-Machado, Neal Yuan, et al. Automated severe aortic stenosis detection on single-view echocardiography: A multi-center deep learning study. *medRxiv*, 2022b.
- Andreas Holzinger, Chris Biemann, Constantinos S Pattichis, and Douglas B Kell. What do we need to build explainable ai systems for the medical domain? *arXiv preprint arXiv:1712.09923*, 2017.
- Le Hou, Dimitris Samaras, Tahsin M Kurc, Yi Gao, James E Davis, and Joel H Saltz. Patch-based convolutional neural network for whole slide tissue image classification. In *Proceedings of the IEEE conference on computer vision and pattern recognition*, pages 2424–2433, 2016.
- Zhe Huang, Gary Long, Benjamin Wessler, and Michael C Hughes. A new semi-supervised learning benchmark for classifying view and diagnosing aortic stenosis from echocardiograms. In *Machine Learning for Healthcare Conference*, 2021. URL <https://proceedings.mlr.press/v149/huang21a.html>.

- Zhe Huang, Gary Long, Benjamin S Wessler, and Michael C Hughes. TMED 2: A dataset for semi-supervised classification of echocardiograms. In *DataPerf: Benchmarking Data for Data-Centric AI Workshop at ICML*, 2022.
- Zhe Huang, Mary-Joy Sidhom, Benjamin S Wessler, and Michael C Hughes. Fix-a-step: Semi-supervised learning from uncensored unlabeled data. In *Artificial Intelligence and Statistics (AISTATS)*, 2023. URL <https://proceedings.mlr.press/v206/huang23c.html>.
- Maximilian Ilse, Jakub Tomczak, and Max Welling. Attention-based deep multiple instance learning. In *International conference on machine learning*, pages 2127–2136. PMLR, 2018.
- Melih Kandemir and Fred A Hamprecht. Computer-aided diagnosis from weak supervision: A benchmarking study. *Computerized medical imaging and graphics*, 42:44–50, 2015.
- Prannay Khosla, Piotr Teterwak, Chen Wang, Aaron Sarna, Yonglong Tian, Phillip Isola, Aaron Maschinot, Ce Liu, and Dilip Krishnan. Supervised contrastive learning. *Advances in neural information processing systems*, 33:18661–18673, 2020.
- Minyoung Kim and Fernando De la Torre. Gaussian processes multiple instance learning. In *ICML*, pages 535–542. Citeseer, 2010.
- Hema Krishna, Kevin Desai, Brody Slostad, Siddharth Bhayani, Joshua H Arnold, Wouter Ouwerkerk, Yoran Hummel, Carolyn SP Lam, Justin Ezekowitz, Matthew Frost, et al. Fully automated artificial intelligence assessment of aortic stenosis by echocardiography. *Journal of the American Society of Echocardiography*, 2023.
- Samuli Laine and Timo Aila. Temporal ensembling for semi-supervised learning. *arXiv preprint arXiv:1610.02242*, 2016.
- Juho Lee, Yoonho Lee, Jungtaek Kim, Adam Kosiorek, Seungjin Choi, and Yee Whye Teh. Set transformer: A framework for attention-based permutation-invariant neural networks. In *International conference on machine learning*, pages 3744–3753. PMLR, 2019.
- Bin Li, Yin Li, and Kevin W Eliceiri. Dual-stream multiple instance learning network for whole slide image classification with self-supervised contrastive learning. In *Proceedings of the IEEE/CVF conference on computer vision and pattern recognition (CVPR)*, 2021a.
- Junnan Li, Caiming Xiong, and Steven CH Hoi. Comatch: Semi-supervised learning with contrastive graph regularization. In *Proceedings of the IEEE/CVF international conference on computer vision*, pages 9475–9484, 2021b.
- Xirong Li, Wencui Wan, Yang Zhou, Jianchun Zhao, Qijie Wei, Junbo Rong, Pengyi Zhou, Limin Xu, Lijuan Lang, Yuying Liu, et al. Deep multiple instance learning with spatial attention for rop case classification, instance selection and abnormality localization. In *2020 25th International Conference on Pattern Recognition (ICPR)*, pages 7293–7298. IEEE, 2021c.
- Xirong Li, Yang Zhou, Jie Wang, Hailan Lin, Jianchun Zhao, Dayong Ding, Weihong Yu, and Youxin Chen. Multi-modal multi-instance learning for retinal disease recognition. In *Proceedings of the 29th ACM International Conference on Multimedia*, pages 2474–2482, 2021d.
- Zheren Li, Zhiming Cui, Sheng Wang, Yuji Qi, Xi Ouyang, Qitian Chen, Yuezhi Yang, Zhong Xue, Dinggang Shen, and Jie-Zhi Cheng. Domain Generalization for Mammography Detection via Multi-style and Multi-view Contrastive Learning. In *Medical Image Computing and Computer Assisted Intervention (MICCAI)*. arXiv, 2021e. URL <http://arxiv.org/abs/2111.10827>.

- Kangning Liu, Weicheng Zhu, Yiqiu Shen, Sheng Liu, Narges Razavian, Krzysztof J Geras, and Carlos Fernandez-Granda. Multiple instance learning via iterative self-paced supervised contrastive learning. *arXiv preprint arXiv:2210.09452*, 2022.
- Yun Liu, Krishna Gadepalli, Mohammad Norouzi, George E Dahl, Timo Kohlberger, Aleksey Boyko, Subhashini Venugopalan, Aleksei Timofeev, Philip Q Nelson, Greg S Corrado, et al. Detecting cancer metastases on gigapixel pathology images. *arXiv preprint arXiv:1703.02442*, 2017.
- Gary Long and Benjamin S Wessler. Identification of echocardiographic imaging view using deep learning. *Circulation: Cardiovascular Quality and Outcomes*, 11(suppl_1):A276–A276, 2018.
- Ming Y Lu, Richard J Chen, Jingwen Wang, Debora Dillon, and Faisal Mahmood. Semi-supervised histology classification using deep multiple instance learning and contrastive predictive coding. *arXiv preprint arXiv:1910.10825*, 2019.
- Scott M Lundberg and Su-In Lee. A unified approach to interpreting model predictions. *Advances in neural information processing systems*, 30, 2017.
- Ali Madani, Ramy Arnaout, Mohammad Mofrad, and Rima Arnaout. Fast and accurate view classification of echocardiograms using deep learning. *NPJ digital medicine*, 1(1):6, 2018.
- Oded Maron and Tomás Lozano-Pérez. A framework for multiple-instance learning. *Advances in neural information processing systems*, 10, 1997.
- Carol Mitchell, Peter S Rahko, Lori A Blauwet, Barry Canaday, Joshua A Finstuen, Michael C Foster, Kenneth Horton, Kofo O Ogunyankin, Richard A Palma, and Eric J Velazquez. Guidelines for performing a comprehensive transthoracic echocardiographic examination in adults: recommendations from the american society of echocardiography. *Journal of the American Society of Echocardiography*, 32(1):1–64, 2019.
- Hasan Nasir Khan, Ahmad Raza Shahid, Basit Raza, Amir Hanif Dar, and Hani Alquhayz. Multi-View Feature Fusion Based Four Views Model for Mammogram Classification Using Convolutional Neural Network. *IEEE Access*, 7:165724–165733, 2019.
- Mehdi Noroozi and Paolo Favaro. Unsupervised learning of visual representations by solving jigsaw puzzles. In *Computer Vision—ECCV 2016: 14th European Conference, Amsterdam, The Netherlands, October 11–14, 2016, Proceedings, Part VI*, pages 69–84. Springer, 2016.
- Aaron van den Oord, Yazhe Li, and Oriol Vinyals. Representation learning with contrastive predictive coding. *arXiv preprint arXiv:1807.03748*, 2018.
- Adam Paszke, Sam Gross, Francisco Massa, Adam Lerer, James Bradbury, Gregory Chanan, Trevor Killeen, Zeming Lin, Natalia Gimelshein, Luca Antiga, et al. Pytorch: An imperative style, high-performance deep learning library. *Advances in neural information processing systems*, 32, 2019.
- Gwénoél Quéléec, Mathieu Lamard, Michael D Abràmoff, Etienne Decencière, Bruno Lay, Ali Erginay, Béatrice Cochener, and Guy Cazuguel. A multiple-instance learning framework for diabetic retinopathy screening. *Medical image analysis*, 16(6):1228–1240, 2012.
- Gwenolé Quéléec, Guy Cazuguel, Béatrice Cochener, and Mathieu Lamard. Multiple-instance learning for medical image and video analysis. *IEEE reviews in biomedical engineering*, 10:213–234, 2017.
- Herbert Robbins and Sutton Monro. A stochastic approximation method. *The Annals of Mathematical Statistics*, 22(3):400–407, 1951.

- Jonathan Rubin, Deepan Sanghavi, Claire Zhao, Kathy Lee, Ashequl Qadir, and Minnan Xu-Wilson. Large Scale Automated Reading of Frontal and Lateral Chest X-Rays using Dual Convolutional Neural Networks, 2018.
- Dawid Rymarczyk, Adam Paryl, Jarosław Kraus, Aneta Kaczyńska, Marek Skomorowski, and Bartosz Zieliński. Protomil: Multiple instance learning with prototypical parts for whole-slide image classification. In *Machine Learning and Knowledge Discovery in Databases: European Conference, ECML PKDD 2022, Grenoble, France, September 19–23, 2022, Proceedings, Part I*, pages 421–436. Springer, 2023.
- Charlie Saillard, Olivier Dehaene, Tanguy Marchand, Olivier Moindrot, Aurélie Kamoun, Benoit Schmauch, and Simon Jegou. Self supervised learning improves dmmr/msi detection from histology slides across multiple cancers. *arXiv preprint arXiv:2109.05819*, 2021.
- Zhuchen Shao, Hao Bian, Yang Chen, Yifeng Wang, Jian Zhang, Xiangyang Ji, et al. Transmil: Transformer based correlated multiple instance learning for whole slide image classification. *Advances in neural information processing systems*, 34:2136–2147, 2021.
- Yash Sharma, Aman Shrivastava, Lubaina Ehsan, Christopher A Moskaluk, Sana Syed, and Donald Brown. Cluster-to-conquer: A framework for end-to-end multi-instance learning for whole slide image classification. In *Medical Imaging with Deep Learning*, pages 682–698. PMLR, 2021.
- Sana Tonekaboni, Shalmali Joshi, Melissa D McCradden, and Anna Goldenberg. What clinicians want: contextualizing explainable machine learning for clinical end use. In *Machine learning for healthcare conference*, pages 359–380. PMLR, 2019.
- Du Tran, Heng Wang, Lorenzo Torresani, Jamie Ray, Yann LeCun, and Manohar Paluri. A closer look at spatiotemporal convolutions for action recognition. In *Proceedings of the IEEE conference on Computer Vision and Pattern Recognition*, pages 6450–6459, 2018.
- Gijs van Tulder, Yao Tong, and Elena Marchiori. Multi-view analysis of unregistered medical images using cross-view transformers. In *Medical Image Computing and Computer Assisted Intervention (MICCAI)*, 2021.
- Hooman Vaseli, Ang Nan Gu, S. Neda Ahmadi Amiri, Michael Y. Tsang, Andrea Fung, Nima Kondori, Armin Saadat, Purang Abolmaesumi, and Teresa S. M. Tsang. ProtoASNet: Dynamic Prototypes for Inherently Interpretable and Uncertainty-Aware Aortic Stenosis Classification in Echocardiography. In *Medical Image Computing and Computer Assisted Intervention (MICCAI)*, 2023. URL <http://arxiv.org/abs/2307.14433>.
- Ashish Vaswani, Noam Shazeer, Niki Parmar, Jakob Uszkoreit, Llion Jones, Aidan N Gomez, Łukasz Kaiser, and Illia Polosukhin. Attention is all you need. *Advances in neural information processing systems*, 30, 2017.
- Jun Wang and Jean-Daniel Zucker. Solving multiple-instance problem: A lazy learning approach. In *International Conference on Machine Learnign (ICML)*, 2000.
- Xinggong Wang, Yongluan Yan, Peng Tang, Xiang Bai, and Wenyu Liu. Revisiting multiple instance neural networks. *Pattern Recognition*, 74:15–24, 2018.
- Benjamin S Wessler, Zhe Huang, Gary M Long Jr, Stefano Pacifici, Nishant Prashar, Samuel Karmiy, Roman A Sandler, Joseph Z Sokol, Daniel B Sokol, Monica M Dehn, et al. Automated detection of aortic stenosis using machine learning. *Journal of the American Society of Echocardiography*, 2023.

- Nan Wu, Jason Phang, Jungkyu Park, Yiqiu Shen, Zhe Huang, Masha Zorin, Stanislaw Jastrzebski, Thibault Fevry, Joe Katsnelson, Eric Kim, Stacey Wolfson, Ujas Parikh, Sushma Gaddam, Leng Leng Young Lin, Kara Ho, Joshua D. Weinstein, Beatriu Reig, Yiming Gao, Hildegard Toth, Kristine Pysarenko, Alana Lewin, Jiyon Lee, Krystal Airola, Eralda Mema, Stephanie Chung, Esther Hwang, Naziya Samreen, S. Gene Kim, Laura Heacock, Linda Moy, Kyunghyun Cho, and Krzysztof J. Geras. Deep Neural Networks Improve Radiologists’ Performance in Breast Cancer Screening. *IEEE Transactions on Medical Imaging*, 39(4), 2020.
- Zhirong Wu, Yuanjun Xiong, Stella X Yu, and Dahua Lin. Unsupervised feature learning via non-parametric instance discrimination. In *Proceedings of the IEEE conference on computer vision and pattern recognition (CVPR)*, 2018.
- Yan Xu, Jun-Yan Zhu, I Eric, Chao Chang, Maode Lai, and Zhuowen Tu. Weakly supervised histopathology cancer image segmentation and classification. *Medical image analysis*, 18(3): 591–604, 2014.
- Simon Yadgir, Catherine Owens Johnson, Victor Aboyans, Oladimeji M Adebayo, Rufus Adesoji Adedoyin, Mohsen Afarideh, Fares Alahdab, Alaa Alashi, Vahid Alipour, Jalal Arabloo, et al. Global, regional, and national burden of calcific aortic valve and degenerative mitral valve diseases, 1990–2017. *Circulation*, 141(21):1670–1680, 2020.
- Chenxi Yang, Banish D. Ojha, Nicole D. Aranoff, Philip Green, and Negar Tavassolian. Classification of aortic stenosis using conventional machine learning and deep learning methods based on multi-dimensional cardio-mechanical signals. *Scientific Reports*, 10(1), 2020.
- Mang Ye, Xu Zhang, Pong C Yuen, and Shih-Fu Chang. Unsupervised embedding learning via invariant and spreading instance feature. In *Proceedings of the IEEE/CVF Conference on Computer Vision and Pattern Recognition*, pages 6210–6219, 2019.
- Sergey Zagoruyko and Nikos Komodakis. Wide residual networks. *arXiv preprint arXiv:1605.07146*, 2016.
- Manzil Zaheer, Satwik Kottur, Siamak Ravanbakhsh, Barnabas Poczos, Russ R Salakhutdinov, and Alexander J Smola. Deep sets. *Advances in neural information processing systems*, 30, 2017.
- Cha Zhang, John Platt, and Paul Viola. Multiple instance boosting for object detection. *Advances in neural information processing systems*, 18, 2005.
- Jeffrey Zhang, Sravani Gajjala, Pulkit Agrawal, Geoffrey H Tison, Laura A Hallock, Lauren Beussink-Nelson, Mats H Lassen, Eugene Fan, Mandar A Aras, ChaRandle Jordan, et al. Fully automated echocardiogram interpretation in clinical practice: feasibility and diagnostic accuracy. *Circulation*, 138(16):1623–1635, 2018.
- Qi Zhang and Sally Goldman. Em-dd: An improved multiple-instance learning technique. *Advances in neural information processing systems*, 14, 2001.
- Zhendong Zhao, Gang Fu, Sheng Liu, Khaled M Elokely, Robert J Doerksen, Yixin Chen, and Dawn E Wilkins. Drug activity prediction using multiple-instance learning via joint instance and feature selection. *BMC bioinformatics*, 14(S16), 2013. URL <https://doi.org/10.1186/1471-2105-14-S14-S16>.
- Mingkai Zheng, Fei Wang, Shan You, Chen Qian, Changshui Zhang, Xiaogang Wang, and Chang Xu. Weakly supervised contrastive learning. In *Proceedings of the IEEE/CVF International Conference on Computer Vision*, pages 10042–10051, 2021.

Zhi-Hua Zhou. Multi-instance learning: A survey. *Department of Computer Science & Technology, Nanjing University, Tech. Rep.*, 1, 2004.

Zhi-Hua Zhou, Yu-Yin Sun, and Yu-Feng Li. Multi-instance learning by treating instances as non-iid samples. In *Proceedings of the 26th annual international conference on machine learning*, pages 1249–1256, 2009.

Appendix Contents

A Further Results **24**

 A.1 Confusion matrix 24

 A.2 ROC for AS Screening Tasks 25

 A.3 Attended Images by SAMIL and ABMIL 26

B Methods Details **26**

 B.1 Mapping between the TMED-2 labels and finer-grained clinical scale 26

 B.2 MIL Architecture 27

 B.3 Details on Filter then Avg. Approach 28

 B.4 Details on DeepSet 28

C MIL Training Details **28**

D Self-supervised Pretraining Details **30**

E View Classifier Details **30**

F Additional Related Work **31**

Appendix A. Further Results

A.1. Confusion matrix

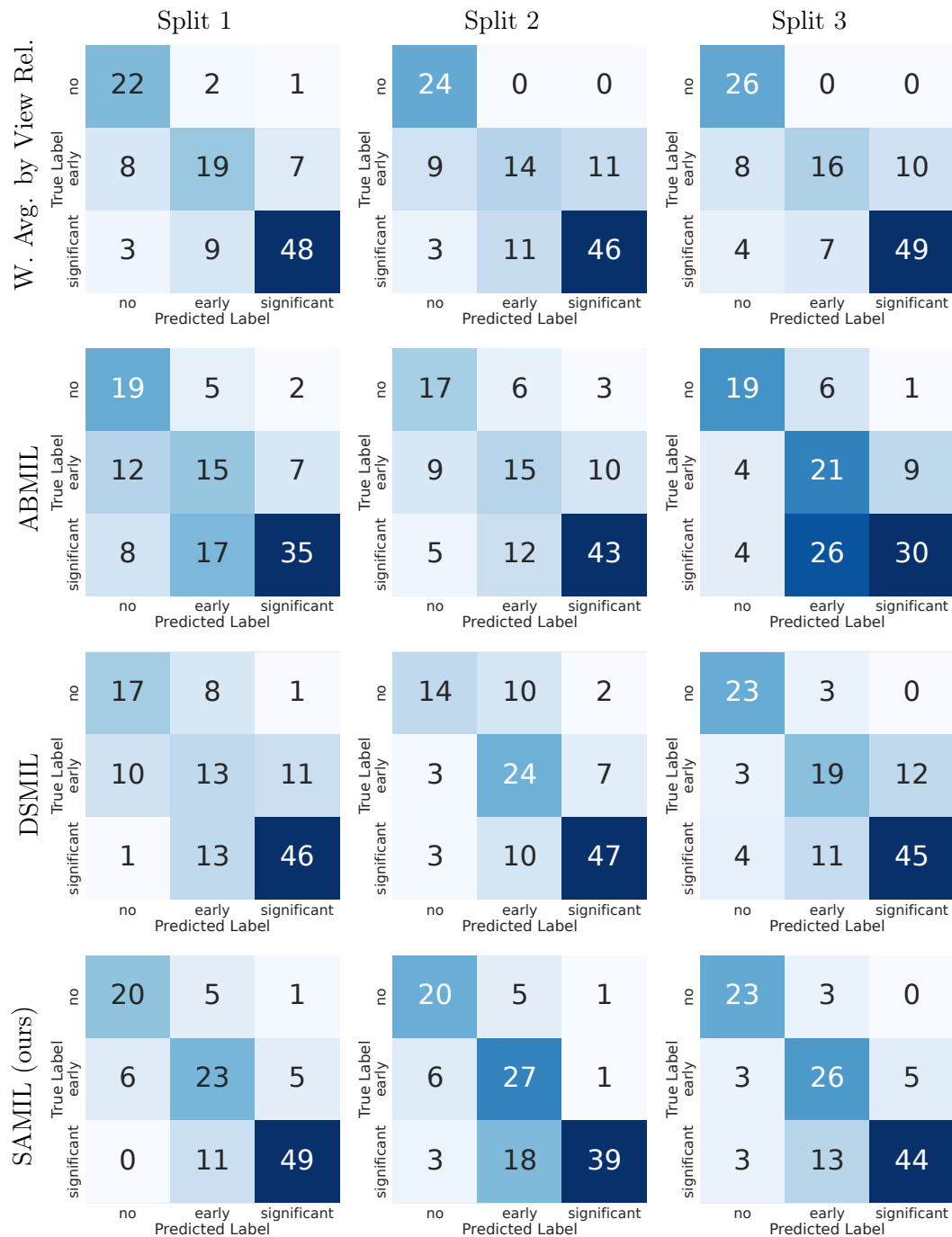


Figure A.1: Confusion matrices for the patient-level AS diagnosis classification, across three predefined train/test splits of TMED2.

A.2. ROC for AS Screening Tasks

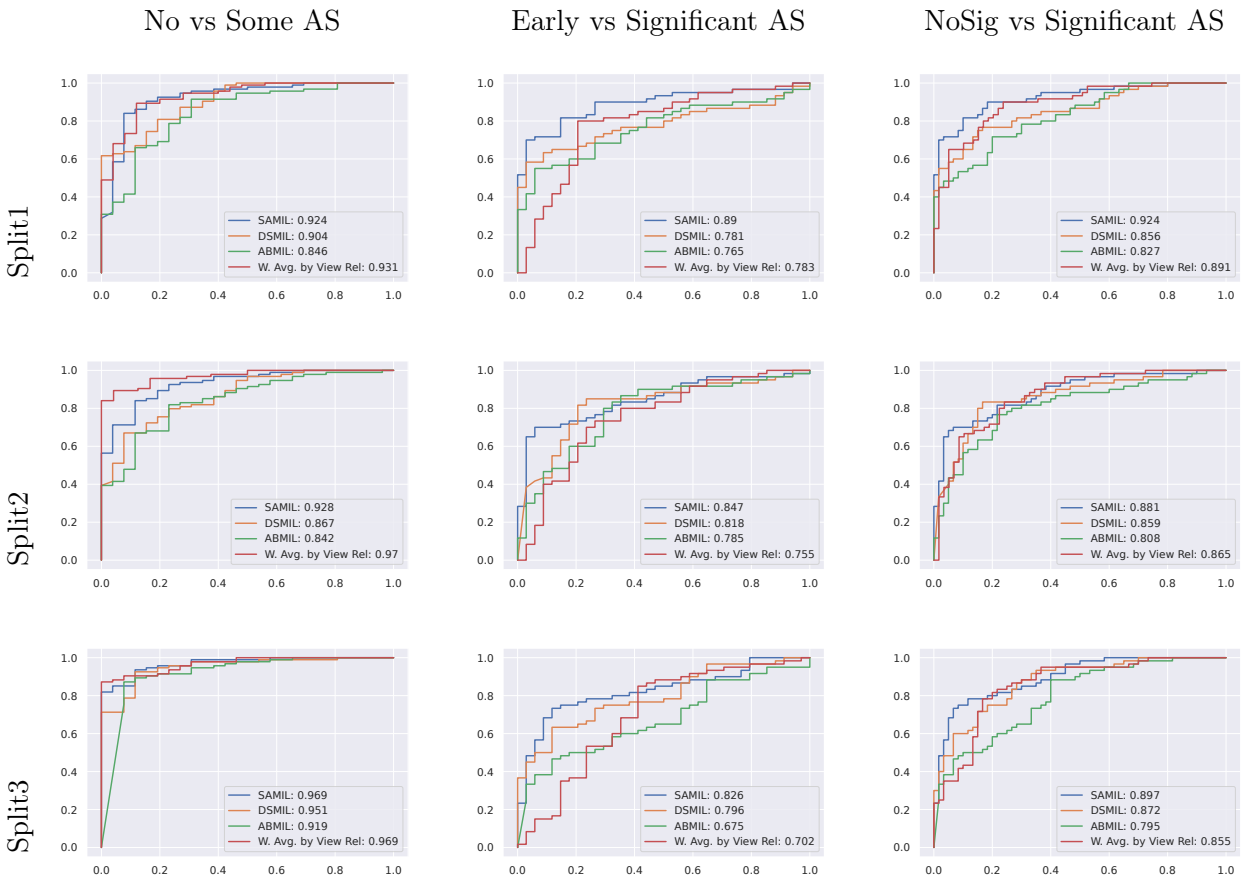


Figure A.2: Diagnosis classification receiver operator curves. Showing results across three predefined train/test splits of TMED2 and three clinically relevant screening tasks.

A.3. Attended Images by SAMIL and ABMIL

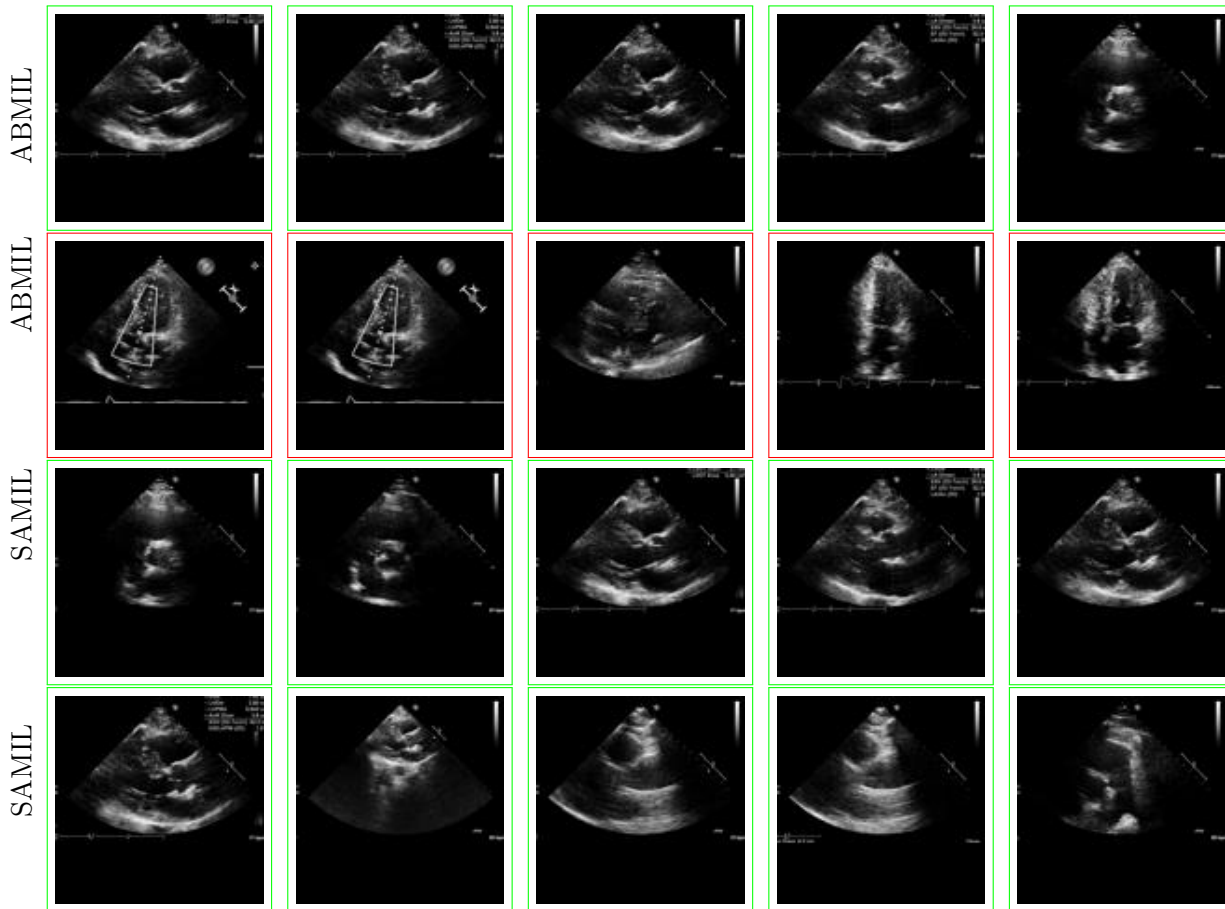


Figure A.3: Showing top attended images for the first study in the test set. The top 2 rows show the top 10 attended images by ABMIL, bottom 2 rows show the top 10 attended images by SAMIL. Red box indicates the image is not a clinically relevant view for AS diagnosis.

Appendix B. Methods Details

B.1. Mapping between the TMED-2 labels and finer-grained clinical scale

Here we show how the 3-level coarse diagnosis classes in TMED-2 (advocated by [Wessler et al. \(2023\)](#)) map to the common 5-level fine-grained clinical scale used by clinicians.

We chose this mapping because our study was designed with three overarching clinical considerations: (1) An AS screening framework should be designed primarily to be sensitive for identifying disease rather than for comprehensive phenotyping of AS given the complexity of this clinical syndrome; (2) Given the challenges with contemporary diagnosis (and the many subtypes of severe AS) and the concerns that severe AS might masquerade as moderate AS with certain low-flow subtypes, we designed our disease classifiers to identify ‘significant AS’, a category that includes moderate and severe AS. This was purposely done to maximize

5-Level Scale	TMED2 Label
no AS	no AS
mild AS	early AS
mild-to-moderate AS	early AS
moderate AS	significant AS
severe AS	significant AS

Table B.1: Mapping between the TMED-2 labels and finer-grained clinical scale

utility as a screening tool; and (3) The expected clinical application of our fully automated MIL models is that it will trigger referral for comprehensive echocardiography and heart team evaluation.

B.2. MIL Architecture

Below we report the architecture details for SAMIL. For feature extractor f , we use a simple stack of convolution layers as done in ABMIL (Ilse et al., 2018). We used the same feature

Feature Extractor f
Conv2d(3, 20, kernel=(5,5))
ReLU()
MaxPool2d(2, stride=2)
Conv2d(20, 50, kernel=(5,5))
ReLU()
MaxPool2d(2, stride=2)
Conv2d(50, 100, kernel=(5,5))
ReLU()
Conv2d(100, 200, kernel=(5,5))
ReLU()
MaxPool2d(2, stride=2)

Table B.2: Details of Feature Extractor f

extractor f shown in B.2 for SAMIL, ABMIL, Set Transformer and DSMIL.

The feature extractor f maps each of the original images into 200 feature maps with smaller size. In practice, a MLP can be use (optional) to further process the flattened feature maps (also see Fig 2). We use the same MLP [Linear(32000, 500), ReLU(), Linear(500, 250), ReLU(), Linear(250, 500), ReLU()] for both SAMIL and ABMIL. For Set Transformer, we directly flattened the extracted feature maps and feed them to the Set Transformer’s ISAB blocks. Please refer to original paper (Lee et al., 2019) for more details. For DSMIL, the extracted feature maps are flattened and projected to vectors of dimension 500 by a linear layer followed by ReLU, and then feed to its two streams. Please refer to original paper (Li et al., 2021a) for more details.

For the pooling layer σ , we use the same MLP architectures (shown in B.3) for both the supervised attention branch and flexible attention branch in SAMIL. Note that this is also the same MLP architecture to learn attention weights in ABMIL.

MLP learning attention weights
Linear(500, 128)
Tanh()
Linear(128, 1)

Table B.3: Details of MLP used to learn attention weights for SAMIL and ABMIL

For output layer g both SAMIL and ABMIL use a simple linear layer (with softmax). Our experiments for DSMIL, and Set Transformer are mainly based on the official open-source code from corresponding paper. Please refer to the original papers for more details on their σ and g .

B.3. Details on Filter then Avg. Approach

To apply the Filter then Avg. approach proposed on TMED2, we follow closely the steps outlined in the paper [Holste et al. \(2022b,a\)](#). We first use the same view classifiers that are used for SAMIL to prefilter images in the dataset, keeping only images that are predicted as PLAX. We then use a 2D ResNet18 ([He et al., 2016](#)) to train the diagnosis classifier to classify each retained PLAX image as no AS, early AS or significant AS. In aggregation step, we average the AS predictions of all PLAX images in a study to obtain the study-level AS prediction. Note that author in ([Holste et al., 2022a](#)) uses a 3D ResNet18 ([Tran et al., 2018](#)) since their proprietary dataset consists of 3D videos while the open access TMED2 consists of 2D images. For the same reason, we are not able to directly use their self-supervised training strategy that are proposed for 3D videos.

B.4. Details on DeepSet

DeepSet ([Zaheer et al., 2017](#)) process each instance in the bag independently, and aggregate the processed feature embedding using simple pooling (mean or max). Fully connected layers are then used to map the aggregated feature embeddings into a bag prediction.

We perform the same hyperparameter search for DeepSet as shown in App C. However, we won't able to obtain any meaningful results, which suggest that problem of using multiple ultrasound images for AS diagnosis is too challenging for simple architecture like DeepSet.

Appendix C. MIL Training Details

Our open source code (<https://github.com/tufts-ml/SAMIL/>) uses PyTorch ([Paszke et al., 2019](#)). For all methods compared, we use SGD ([Robbins and Monro, 1951](#)) as optimizer. Each method is set to train for 2000 epochs, and early stop if validation performance does not increase for 200 consecutive epochs. Each training run uses one NVIDIA A100 GPU.

We perform a grid search for each algorithm and each data split. From our preliminary experiments, we found that learning rate around 0.0005 and weight decay around 0.0001 is a good starting point.

For DSMIL, ABMIL, Set Transformer, DeepSet and Filter then Avg, we search learning rate in [0.0003, 0.0005, 0.0008, 0.001, 0.003] and weight decay in [0.00001, 0.00003, 0.0001, 0.0003, 0.001]. SAMIL involves two additional hyperparameters, a temperature scaling

term τ_v used in eq. 4, and λ_{SA} in eq. 8 that balance the supervised attention loss and the cross-entropy loss. For SAMIL, we search learning rate in [0.0005, 0.0008], weight decay in [0.0001, 0.001], τ_v in [0.1, 0.05, 0.03] and λ_{SA} in [5, 15, 20]. Note that for ABMIL with gated attention, we did not search hyperparameters again, but directly use the corresponding best hyperparameter from its general attention version. Note that we perform same set of independent hyperparameter search for experiments on SAMIL with bag-level pretraining, image-level pretraining and without pretraining.

Final hyperparameter used are reported as follow:

SAMIL (with study-level SSL)			
Hyperparameter	split1	split2	split3
Learning rate	0.0005	0.0008	0.0005
Weight decay	0.0001	0.001	0.001
Temperature T	0.1	0.1	0.05
λ_{SA}	15.0	20.0	20.0
Learning rate schedule	cosine	cosine	cosine

Table C.1: Hyperparameter settings for SAMIL across different data splits.

DSMIL			
Hyperparameter	split1	split2	split3
Learning rate	0.001	0.0008	0.0008
Weight decay	0.0001	0.00003	0.00001
Learning rate schedule	cosine	cosine	cosine

Table C.2: Hyperparameter settings for DSMIL across different data splits.

ABMIL			
Hyperparameter	split1	split2	split3
Learning rate	0.0008	0.0005	0.0008
Weight decay	0.0001	0.00005	0.00005
Learning rate schedule	cosine	cosine	cosine

Table C.3: Hyperparameter settings for ABMIL across different data splits.

Set Transformer			
Hyperparameter	split1	split2	split3
Learning rate	0.0010	0.0008	0.0008
Weight decay	0.00003	0.0001	0.00001
Learning rate schedule	cosine	cosine	cosine

Table C.4: Hyperparameter settings for Set Transformer across different data splits.

Hyperparameter	Filter then Avg.		
	split1	split2	split3
Learning rate	0.003	0.001	0.003
Weight decay	0.00003	0.00001	0.00001
Learning rate schedule	cosine	cosine	cosine

Table C.5: Hyperparameter settings for Filter then Avg. across different data splits.

Appendix D. Self-supervised Pretraining Details

Our implementation is based on the official code from MoCo (He et al., 2020; Chen et al., 2020b). For image-level contrastive learning, we set learning rate to 0.06, weight decay to 0.0005, batch size to 512, size of queue to 4096, momentum m to 0.99, softmax temperature to 0.1. For bag-level contrastive learning, we set learning rate to 0.00015 (following the linear Scaling Relu (Goyal et al., 2017), which is also recommended by MoCo’s author), weight decay to 0.0005, batch size to 1, size of queue to 4096, momentum m to 0.99, softmax temperature to 0.1. Note that we did not tune hyperparameters for the self-supervised pretraining.

We train the model using the train set as well as the unlabeled set for both image-level and bag-level contrastive learning. The model is set to train for 200 epochs, with early stopping monitored by knn protocol on the validation set. The early stopping patience is set to 20.

projection head ψ . The projection head is a two-layer MLP with the structure [Linear(500, 500), ReLU(), Linear(500, 128)]. The projection head is used to project the image or bag representation to a latent space where the contrastive loss is applied. The projection head is discarded after training following the convention from (Chen et al., 2020b,a).

Appendix E. View Classifier Details

We train a view classifier for each of the three splits independently. We train the classifiers using a recently proposed semi-supervised learning method (Huang et al., 2023) with Pi-model (Laine and Aila, 2016). We used the view labeled images in each split’s train set (as the labeled data) as well as the unlabeled set (as the unlabeled data).

The view classifiers are trained to output probabilities of three category: PLAX, PSAX and Other. The view classifiers’ performance is shown in E.1

Method	split1	split2	split3
Fix-A-Step + Pi	97.20	98.14	98.00

Table E.1: Balanced accuracy on view classification. Showing view classification on TMED2 test set’s view labeled images.

Backbone. The view classifiers use Wide ResNet (Zagoruyko and Komodakis, 2016) as backbone, specifically, the “WRN-28-2” that has a depth 28 and width 2.

Training and Hyperparameters. We train the view classifiers using SGD (Robbins and Monro, 1951) as optimizer. We train the classifiers for 500 epochs, and retain the checkpoint that has maximum validation accuracy on the validation set. Hyperparameters used are reported below E.2

Hyperparameter	split1	split2	split3
Labeled batch size	64	64	64
Unlabeled batch size	64	64	64
Learning rate	0.0003	0.009	0.009
Weight decay	0.05	0.0005	0.0005
Max consistency coefficient	0.3	0.3	0.3
Beta shape α	0.5	0.5	0.5
Unlabeled loss warmup schedule	linear	linear	linear
Learning rate schedule	cosine	cosine	cosine

Table E.2: Hyperparameters used for the view classifiers in each split.

Appendix F. Additional Related Work

Classic approaches. Examples of classic MIL methods includes iARP (Dietterich et al., 1997), Diverse Density (Maron and Lozano-Pérez, 1997), Citation-kNN (Wang and Zucker, 2000), MI-Kernels (Zhang and Goldman, 2001), MI/mi-SVM (Andrews et al., 2002), mi-Graph (Zhou et al., 2009), MILBoost (Zhang et al., 2005), GPMIL (Kim and De la Torre, 2010), among others.

Additional examples of medical applications of MIL. Other medical applications of MIL include diabetic retinopathy screening (Quellec et al., 2012; Li et al., 2021c,d; Kandemir and Hamprecht, 2015), bacteria clone analysis (Borowa et al., 2020), drug activity prediction (Dietterich et al., 1997; Zhao et al., 2013), and cancer diagnosis (Campanella et al., 2019; Chikontwe et al., 2020; Hou et al., 2016; Ding et al., 2012; Xu et al., 2014).